

Filtramatic Range

A range of positive displacement macerating pumps for handling raw sewage in land, marine or offshore applications.

PROCESS INPUT:

Process effluent containing solids.

PROCESS OUTPUT:

Process effluent, solids macerated to a small particle size.

CAPACITY RANGE:

Up to 3960 l/hr (CP800) / 7640 l/hr (CP1600).

TYPICAL ELECTRIC MOTOR DRIVE SIZES:

0.75kW (CP800) / 1.1kW (CP1600).



Operation

Filtramatic is a low cost combination of pump and macerator. Designed for small scale land or marine sewage handling installations, it is compact and quiet running. Filtramatic macerates raw sewage to a small particle size and lifts the effluent through heads of up to 35 metres. Small particle size means less costly small bore pipework can be used, reducing installation costs significantly. Use of Filtramatic is beneficial to package treatment plants by reducing wear on pumps and improving efficiency.

Construction

Filtramatic is robustly constructed for minimum maintenance. The macerator element consists of a cast iron canopy and head enclosing a heat treated stainless steel alloy impeller rotating within a stationary cutter ring of hardened nickel steel. The pumping element is a positive displacement, self-priming progressive cavity pump of acetal copolymer directly driven from the motor shaft. Thus there are no valves, pistons or diaphragms to get choked or wear out. The motor element is continuously rated and totally enclosed and can be wound to suit most voltages and frequencies.

Installation

For simplicity of access and maintenance, Filtramatic is mounted horizontally outside the collecting sump or holding tank.

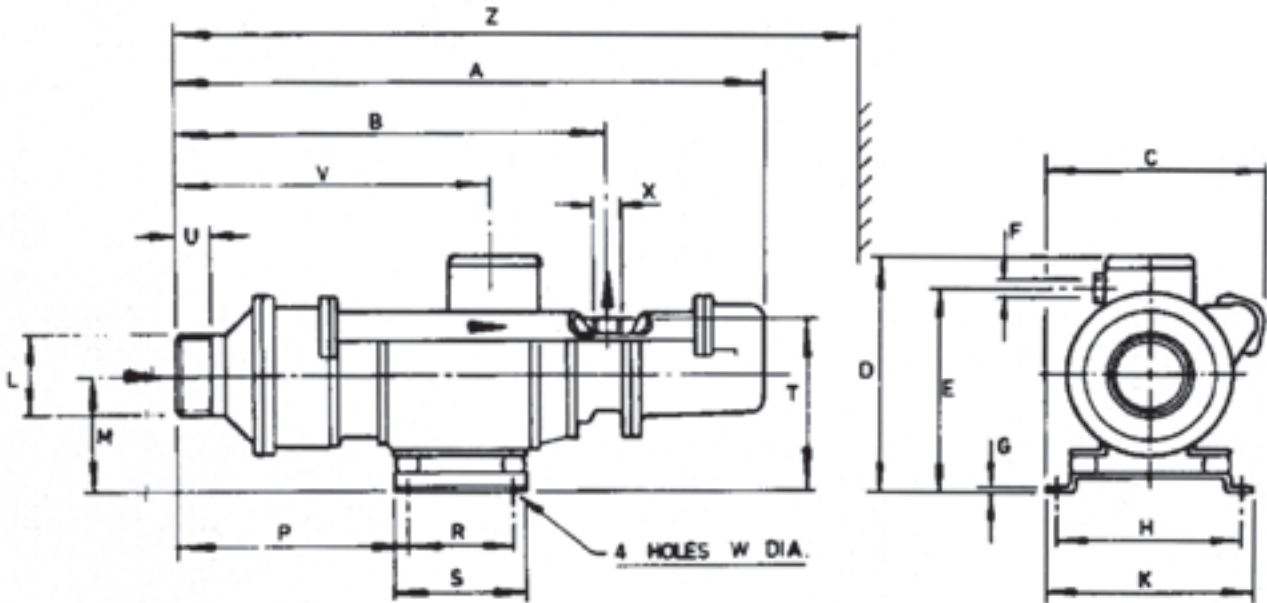
Controls

Control gear can be supplied if required in a lockable wall-mounted cabinet incorporating isolator, fuses, contactors, stop/start reset and auto/manual change switches and supply, running and alarm indicator lights. Provision can be made for manual changeover switch for dual installations and for connection to separate alarm systems.

Performance

	Inlet Port	Outlet Port	Pump Speed	Hz	Kw	Max. Suction Lift	Capacity	TOTAL HEAD (FROM ALL CAUSES)						
								5m 16ft	10m 33ft	15m 50ft	20m 66ft	25m 81ft	30m 98ft	35m 115ft
125 CP800 1Ph / 3ph	3" BSP	1½ BSP	1450	50	0.75	2m	Litres per hr	3960	3800	3600	3360	3060	2700	-
						6ft	Gallons per hr	870	840	790	740	675	595	-
150 CP1600 1Ph / 3ph	3" BSP	1½ BSP	1450	50	1.1	2m	Litres per hr	7640	7500	7230	6930	6600	6160	-
						6ft	Gallons per hr	1680	1650	1590	1520	1450	1350	-

Filtermatic CP Range Dimensions



Dimensions

MODEL	Mac. Size	Motor		Pump Size	Units	A	B	C	D	E	F	G	H	K	L	M	P	R	S	T	U	V	W	X	Z
		Frame	KW																						
125-BD90-CP800	125	D090L	0.75	CP 800	M.M.	778	500	242	273	243	20 B.S. COUJIT	3.2	140	230	3" B.S.P. MALE	133	267	100	150	226	40	355	10	1.5" B.S.P. FEMALE	928
					INS.	30.8	20	9.5	10.7	9.6															
150-BD 100-CP1600	150	D100L	1.1	CP 1600	M.M.	847	513	251	294	263	20 B.S. COUJIT	3.2	160	250	3" B.S.P. MALE	143	267	140	170	236	40	383	14	1.5" B.S.P. FEMALE	997
					INS.	33.3	20.2	9.9	11.6	10.3															



www.haightech.com

It is the policy of our company to continually improve our products and accordingly we reserve the right to alter specifications and appearance without notice.

E3302/1011

The Haigh Engineering Company Limited
Alton Road, Ross-on-Wye, Herefordshire HR9 5NG

Tel: +44 (0) 1989 763131
Fax: +44 (0) 1989 566276

info@haigh.co.uk

